

## HKD100V100A05 (ORDER NO. 057036)

### Handwheel HKD

- ▶ 100 detents per revolution
- ▶ Wear-free magnetic detent mechanism
- ▶ 100 pulses per revolution
- ▶ Installation in operator panels and EUCHNER hand-held pendant stations HBL

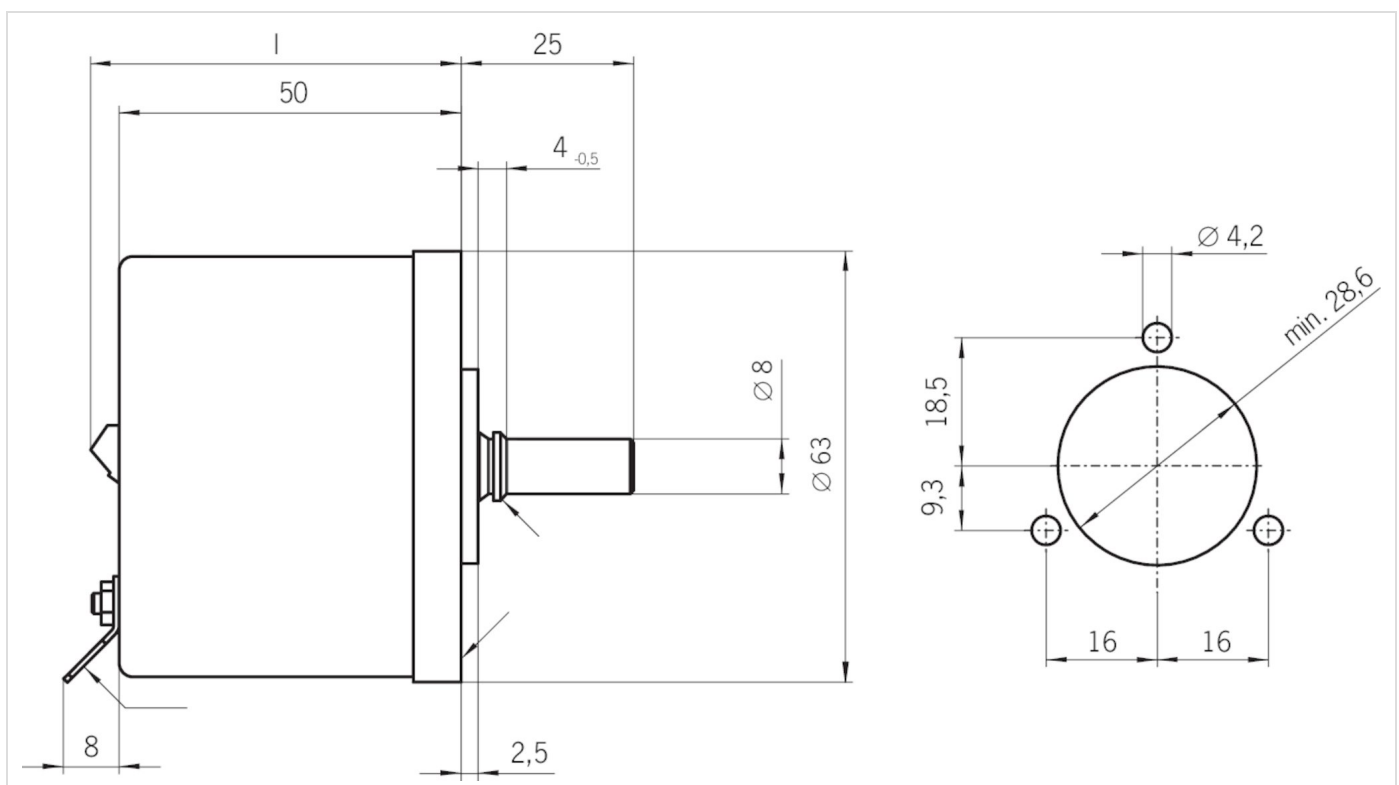


### Description

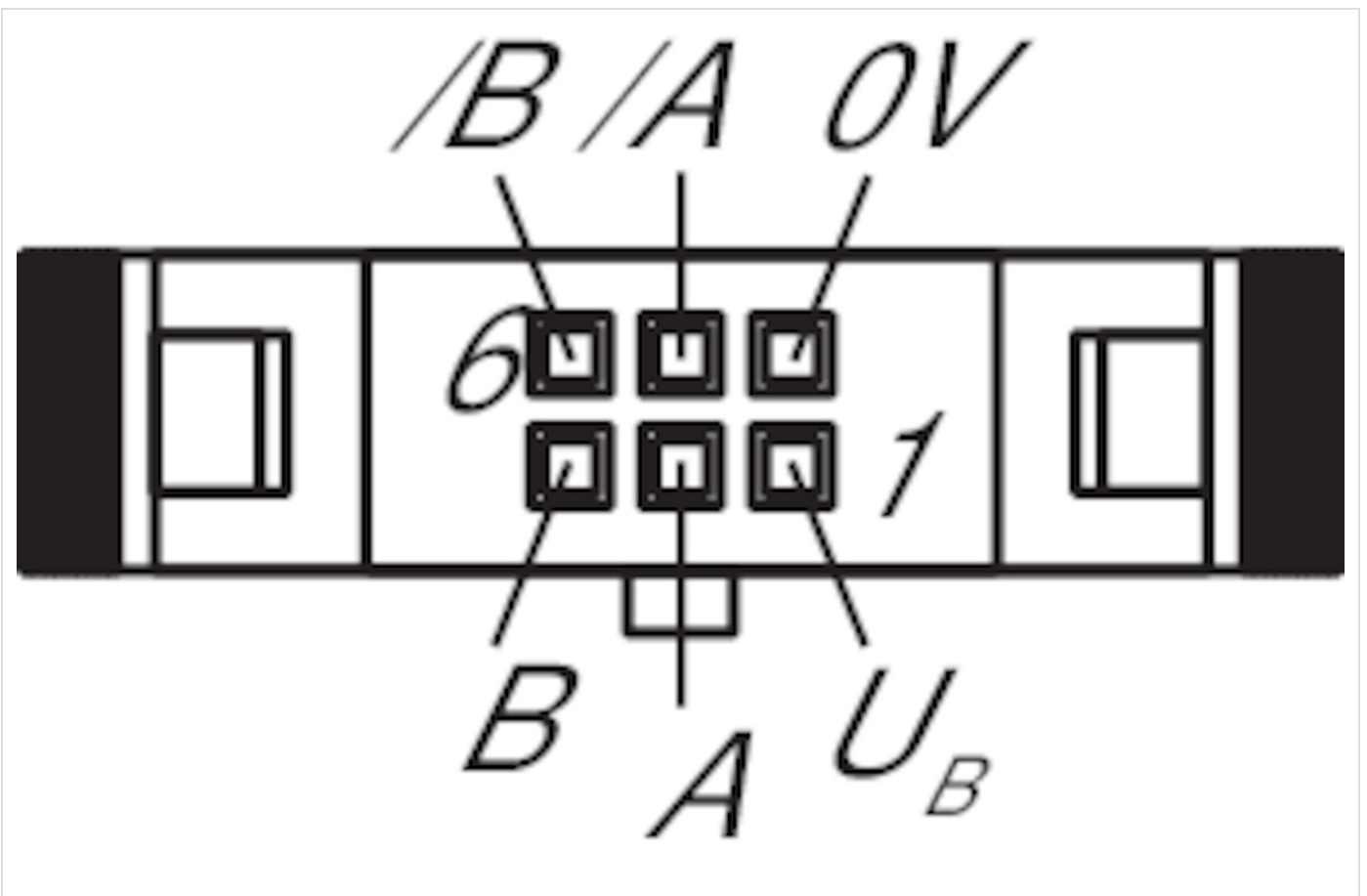
### Notes

- ▶ Output A05 suitable for Siemens control systems with RS422 input

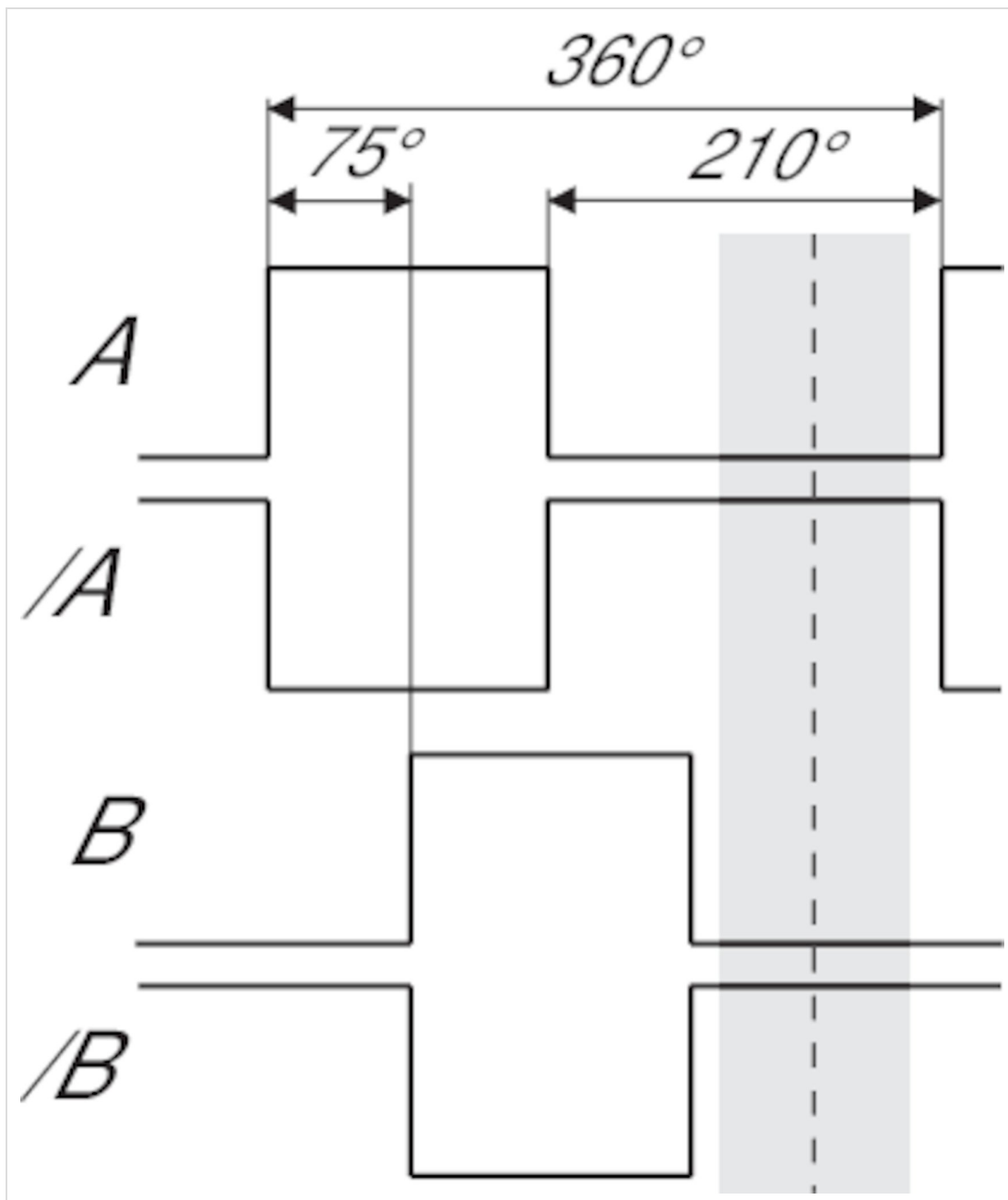
### Dimension drawing



### Wiring diagram



Ausgangssignale



Technical data

Approvals



Mechanical values and environment

Shock and vibration resistance	Acc. to EN 60068-2-27/-2-6
Material	Aluminum
Weight	Net 0.5
Ambient temperature	0 ... +70 °C
Atmospheric humidity	(condensation not permissible) 80 % rH
Degree of protection	IP65 (On the front)
	acc. to NEMA 250 250-12 (On the front)
Connection	Ribbon cable with socket connector DIN 41651 6-pin (Length approx. 250mm)
Detent positions per revolution	100

## Electrical connection ratings

Operating voltage DC	5 V DC -5% ... +5%
Current consumption	Without load max.80 mA
EMC protection requirements	Acc. to CE EN 61000-6-2, EN 61000-6-4
Type of output	RS422
Pulses per revolution	2x100
Output voltage	In accordance with RS422A

## Other

Detent mechanism	Magnetic
------------------	----------

## Accessories

### Function expansion

#### Dial for handwheel HKD, suitable for front panels HKD



**057266**  
SW 90 GE/WS



**057268**  
GR 90 RT/SW-057268



**057280**  
SW 78 GE/WS-057306



**057272**  
GR 78 RT/SW-057272



**072597**  
GR 75 RT/SW



**059276**  
SW 58 RT/WS-059276

#### Dial for kit HBL



**057318**  
SW 65 GE/WS-057318



**057314**  
GR 65 RT/SW-057314

#### Front panel F with seal for handwheel HKD



**028760**  
FRONTPLATTE F KPL.

#### Front panel G with seal for handwheel HKD



**028761**  
FRONTPLATTE G KPL.

#### Front panel M with seal for handwheel HKD




**041758**  
FRONTPLATTE M KPL.


#### Seal for handwheel HKD


---


**054861**  
DICHTUNG E HKD

## Contacts

 EUCHNER GmbH + Co. KG  
Kohlhammerstraße 16  
70771 Leinfelden-Echterdingen

 +49 711 7597-0

 +49 711 753316

 [info\(at\)euchner.de](mailto:info(at)euchner.de)